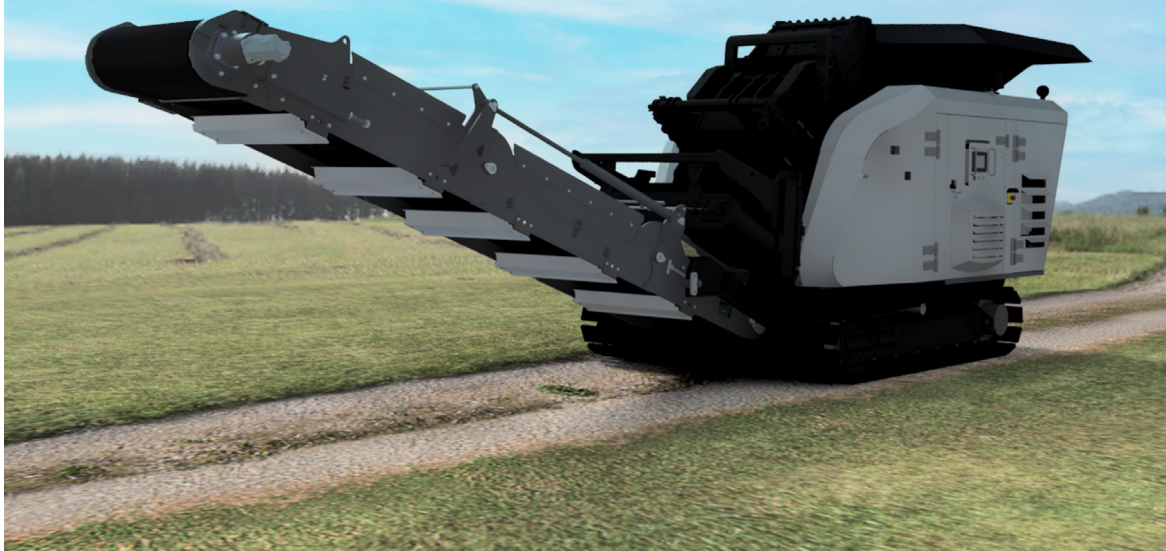


DATA SHEET



CRUSHER

K-1C 70



650 mm x 500 mm
(25" x 20")



Up to 80 tph
90 US tph



20 mm to 80 mm
3/4" to 3-1/4"



Stage V 75 kW
100 Hp Diesel

Tier 4F 75 kW
100 Hp Diesel

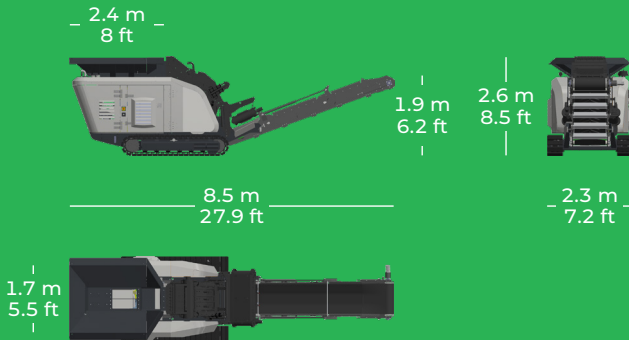
Stage 3A 75 kW
100 Hp Diesel



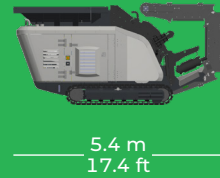
13.000 kg
28.600 lb

Komplet.it

WORKING



TRANSPORT



FEATURES AND BENEFITS

K-IC 70 provides an economical solution for contractors to cut costs and recycle waste material on site with low capital and operational costs, the K-IC 70 is ideal for crushing and stockpiling in diverse recycling applications including construction and demolition waste, asphalt paving, clay and concrete bricks and blocks, porcelain, ceramics, glass and other solid waste.

The compact size, ease of transport, quick set up times and intuitive operation make each of these machine ideal for contract crushers, independent rental houses and small scale operators.

- Vibrating feeder with load sensing.
- High capacity impact crusher.
- Hydraulic blockage release mechanism on crusher.
- Low fuel consumption for low cost of ownership.
- In combination with Kompatto screeners it is a small crushing plant.
- Magnetic Separator.
- Mobile Crawler unit for on-site mobility.
- Dust Suppression System.
- Best quality manufacturing, high-quality components and wear-resistant crushing hammers.
- Compact dimensions and low weight.
- Agile and easy to move on-site.
- Radio remote control.
- One-person operation.



Komplet S.p.a.

Via Antonelli, 49 60012 Trecastelli (AN) Italy

✉ info@komplet.it

☎ +39 071 6609823

VAT 02035890421